



# FGC27507

## 12Volt 75Ah

### Specifications

Nominal Voltage(V) **12V**

#### Nominal Capacity

|              |                    |         |
|--------------|--------------------|---------|
| 10 hour rate | (75A to 10.80V)    | 75Ah    |
| 5 hour rate  | (12.75A to 10.20V) | 63.75Ah |
| 1 hour rate  | (45A to 9.60V)     | 45Ah    |
| 1 C          | (75A to 9.60V)     | 47.5Ah  |

Weight **Approx. 24kg(52.8Lbs.)**

Internal Resistance (at 1KHz) **Approx. 5 mΩ**

#### Maximum Discharge Current for

5 seconds: **900A**

#### Charging Methods at 25 (77 )

##### Cycle use:

Charging Voltage **14.4 to 15.0V**

Coefficient -5.0mv/ /cell

Maximum Charging Current : **22.5A**

##### Standby use:

Float Charging Voltage **13.50 to 13.80V**

Coefficient -3.0mv/ /cell

#### Operating Temperature Range

Charge **-15 (5 ) to 40 (104 )**

Discharge **-15 (5 ) to 50 (122 )**

Storage **-15 (5 ) to 40 (104 )**

#### Charge Retention (shelf life) at 20 (68 )

1 month **98%**

3 month **94%**

6 month **85%**

Case Material **ABS**

(UL94 HB flame retardant )

Terminal **F16**

#### Description of torque value of hard ware for the terminals:

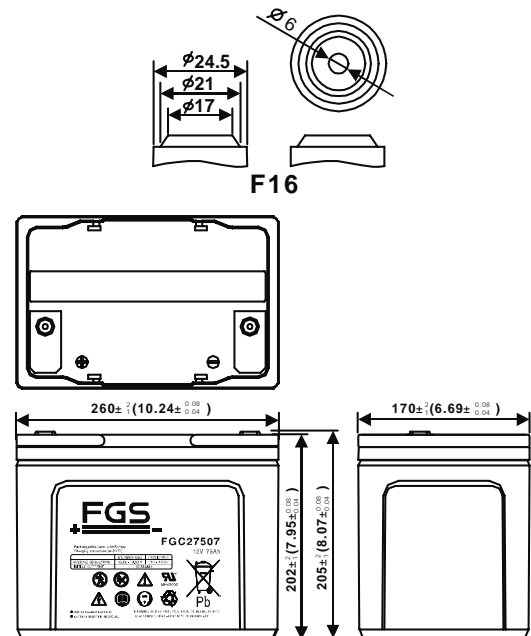
Recommended torque value **M6: 5.39 N-m (55kg-cm)**

Maximum allowable torque value **M6: 8.82 N-m (90kg-cm)**



### Dimensions

mm(inch)



#### Discharge Time VS. Discharge Current (25 )

