



FGC22805

12Volt 28Ah

Specifications

Nominal Voltage(V) **12V**

Nominal Capacity

20 hour rate	(1.4A	to	10.50V)	28Ah
10 hour rate	(2.66A	to	10.50V)	26.6Ah
5 hour rate	(4.76A	to	10.20V)	23.8Ah
1 C	(28A	to	9.60V)	15.87Ah
3 C	(84A	to	9.60V)	11.2Ah

Weight **Approx. 9.3kg(20.46Lbs.)**

Internal Resistance (at 1KHz) **Approx. 11 mΩ**

Maximum Discharge Current for

5 seconds: **420A**

Charging Methods at 25 (77)

Cycle use:

Charging Voltage **14.4 to 15.0V**

Coefficient -5.0mv/ /cell

Maximum Charging Current : **8.4A**

Standby use:

Float Charging Voltage **13.50 to 13.80V**

Coefficient -3.0mv/ /cell

Operating Temperature Range

Charge **-15 (5) to 40 (104)**

Discharge **-15 (5) to 50 (122)**

Storage **-15 (5) to 40 (104)**

Charge Retention (shelf life) at 20 (68)

1 month **92%**

3 month **90%**

6 month **80%**

Case Material

ABS

(UL94 HB flame retardant)

Terminal

F6

Description of torque value of hard ware for the terminals:

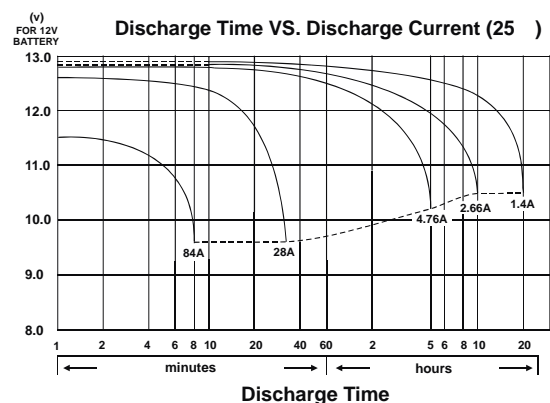
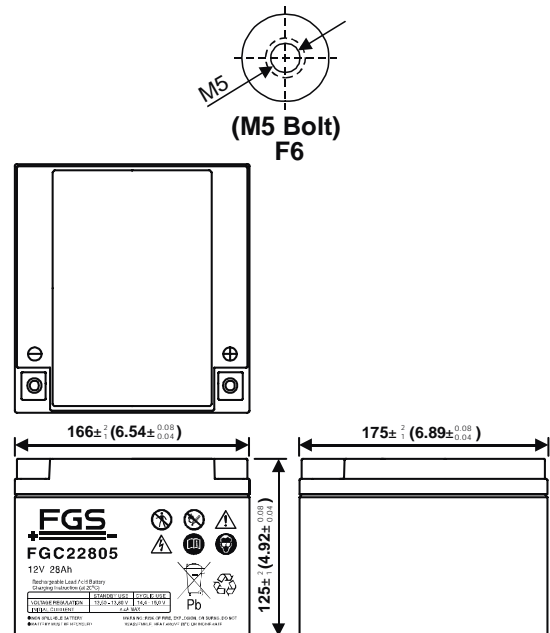
Recommended torque value **M5: 2.94 N-m (30kg-cm)**

Maximum allowable torque value **M5: 4.90 N-m (50kg-cm)**



Dimensions

mm(inch)



151013-1A-FGS