



12FGHL167

12Volt 42Ah

Specifications

Nominal Voltage(V) **12V**

Nominal Capacity

20 hour rate	(2.1A	to	10.50V)	42Ah
10 hour rate	(3.99A	to	10.50V)	39.9Ah
5 hour rate	(7.14A	to	10.20V)	35.7Ah
1 C	(42A	to	9.60V)	23.8Ah
3 C	(126A	to	9.60V)	16.8Ah

Weight **Approx. 14.5kg(31.9Lbs.)**

Internal Resistance (at 1KHz) **Approx. 7 mΩ**

Maximum Discharge Current for

5 seconds: **504A**

Charging Methods at 25 (77)

Cycle use:

Charging Voltage **14.4 to 15.0V**

Coefficient -5.0mv/ /cell

Maximum Charging Current : **12.6A**

Standby use:

Float Charging Voltage **13.50 to 13.80V**

Coefficient -3.0mv/ /cell

Operating Temperature Range

Charge **-15 (5) to 40 (104)**

Discharge **-15 (5) to 50 (122)**

Storage **-15 (5) to 40 (104)**

Charge Retention (shelf life) at 20 (68)

1 month **92%**

3 month **90%**

6 month **80%**

Case Material **ABS**

(UL94 HB flame retardant)

Terminal **F8**

Description of torque value of hard ware for the terminals:

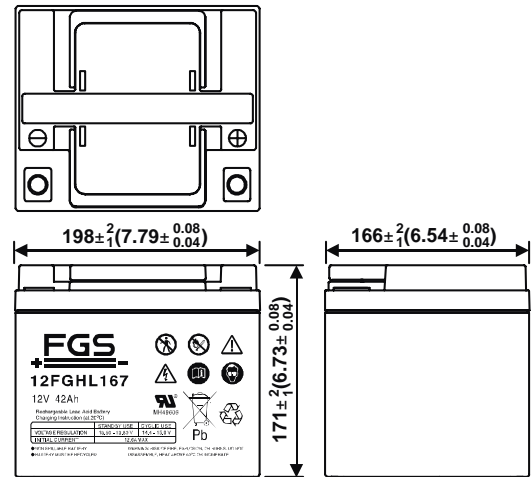
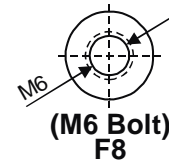
Recommended torque value **M6: 5.39 N-m (55kg-cm)**

Maximum allowable torque value **M6: 8.82 N-m (90kg-cm)**



Dimensions

mm(inch)



(V) Discharge Time VS. Discharge Current (25)

