

12Volt 80Ah

Specifications

Nominal Voltage(V) **12V**

Nominal Capacity

10 hour rate	(8A	to	10.80V)	80Ah
5 hour rate	(13.6A	to	10.20V)	68Ah
1 hour rate	(48A	to	9.60V)	48Ah
1 C	(80A	to	9.60V)	50.67Ah

Weight **Approx. 24kg(52.8Lbs.)**

Internal Resistance (at 1KHz) **Approx. 5 mΩ**

Maximum Discharge Current for

5 seconds: **960A**

Charging Methods at 25 (77)

Cycle use:

Charging Voltage **14.4 to 15.0V**

Coefficient -5.0mv/ /cell

Maximum Charging Current : **24A**

Standby use:

Float Charging Voltage **13.50 to 13.80V**

Coefficient -3.0mv/ /cell

Operating Temperature Range

Charge **-15 (5) to 40 (104)**

Discharge **-15 (5) to 50 (122)**

Storage **-15 (5) to 40 (104)**

Charge Retention (shelf life) at 20 (68)

1 month **98%**

3 month **94%**

6 month **85%**

Case Material **ABS**

(UL94 HB flame retardant)

Terminal **F16**

Description of torque value of hard ware for the terminals:

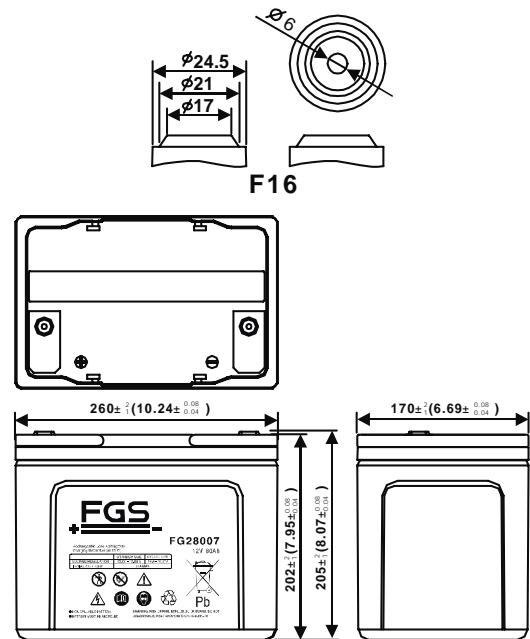
Recommended torque value **M6: 5.39 N-m (55kg-cm)**

Maximum allowable torque value **M6: 8.82 N-m (90kg-cm)**



Dimensions

mm(inch)



(v) FOR 12V BATTERY Discharge Time VS. Discharge Current (25)

